


■ Features:

- High voltage input, 176~264Vac
- High Efficiency, long life and High reliability
- Output protections: SCP/OVP/OLP/OPP
- Wide operating ambient temperature (-25°C~65°C)
- All using 105°C long life electrolytic capacitors.
- 100% full load burn-in test
- 2 years warranty
- Isolated Dual Outputs

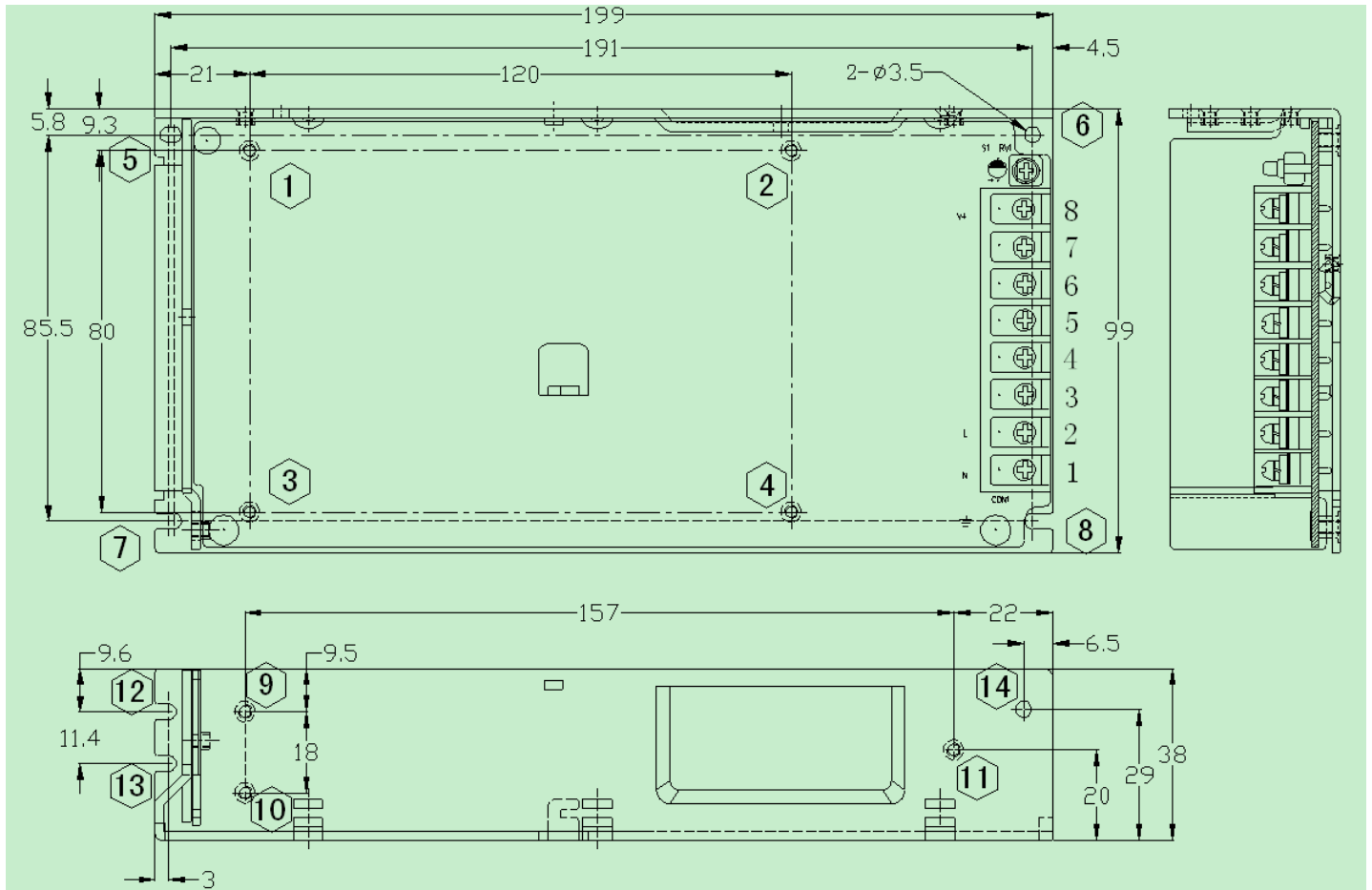
SPECIFICATION

MODEL		CMG-H150D24G+12-M		
OUTPUT	DC Output	V1	24V	
		V2	12V	
	Rated Current	V1	6A	
		V2	5A	
	Current Range Note 3	V1	0.5~5.0A (5.0A is recommended)	
		V2	0.3~3.0A (3.0A is recommended)	
	Ripple and Noise Note4 0~65°C	V1	240mV	
		V2	120mV	
	Ripple and Noise -25~0°C	V1	480mV	
		V2	240mV	
	Voltage ADJ. Range		21.6~26.4V	
	Voltage Accuracy	V1	±1.0%	
		V2	±10.0%	
	Line Regulation	V1	±0.5%	
		V2	±1.0%	
Load Regulation	V1	±3.0%		
	V2	±10.0%		
Set-up Time		< 1.5S (220Vac input, V1 @ 5A, V2 @ 3.0A)		
Hold up Time		> 20mS(220Vac input, V1 @ 5A, V2 @ 3.0A)		
Temperature Coefficient		±0.03%/°C		
Overshoot and Undershoot		<5.0%		
INPUT	Voltage Range		176Vac~264Vac	
	Frequency Range		47Hz~63Hz	
	Efficiency (Typical)		≥80% (220Vac input, V1 @ 5A, V2 @ 3.0A)	
	AC Current (max.)		<1.9A	
	Inrush Current (Typical)		<50A@220Vac Cold start	
	Leakage Current		Input—output:<0.25mA Input—PG:<3.5mA	
PROTECTION	Over Power		157~225W, Hiccup mode, auto recovery	
	Over Current		V1: 5.5~8.0A, Hiccup mode, auto recovery	
	Over Voltage		V1: 25.2~36V, Hiccup mode, auto recovery	
	Short Circuit		Long-term mode, auto recovery	
ENVIRONMENT	Operating amb. Temp. & Hum.		-25°C~65°C; 20%~90%RH No condensing	
	Storage Temp. & Hum.		-30°C~85°C; 10%~95%RH No condensing	
SAFETY & EMC (Note 5)	Safety Standards		GB4943/ EN60950	
	Withstand Voltage		Primary-Secondary:3.0KVac /10mA .Primary-PG:1.5KVac/10mA. Secondary-PG: 0.5KVDC/10mA. Output V1—V2: 0.5KVDC/10mA. Test time:1 min	
	Isolation Resistance		10M ohms	
	EMI Conduction&Radiation		Compliance to EN55022, CLASS B	
	Harmonic Current		Compliance to EN61000-3-2, CLASS A	
	EMS Immunity		Compliance to EN61000-4-2,4,5,8,11;	
OTHERS	MTBF (MIL-HDBK-217F)		More than 200,000Hrs (25°C, Full load)	

	Dimension (L*W*H)	199×99×38mm
	Packing	20PCS/CTN, 15KGS, 0.04cbm
	Cooling method	Cooling by free air convection
NOTE	<ol style="list-style-type: none"> Total output power can't exceed 150W, Label is marked by the Max current. Recommend the loading is 24V/5A,12V/3.0A. All parameters NOT specially mentioned are measured at rated input, rated load and 25℃ of ambient temperature. Measured at 20MHz of bandwidth by using a 12" twisted pair-wire terminated with a 0.1 uF & 47uF parallel capacitor. The SPS is considered a component which will be installed into final equipment. The equipment must be re-confirmed that it still meets EMC directives. 	

Mechanical Specification

Unit: mm



Mounting method	Holes No.	Screw Specs	L max	Torque max
Bottom	1~4	M3	4mm	6.5Kgf.cm
	5~8	M3	/	
Side	9~11	M3	4mm	
	12~14	M3	/	

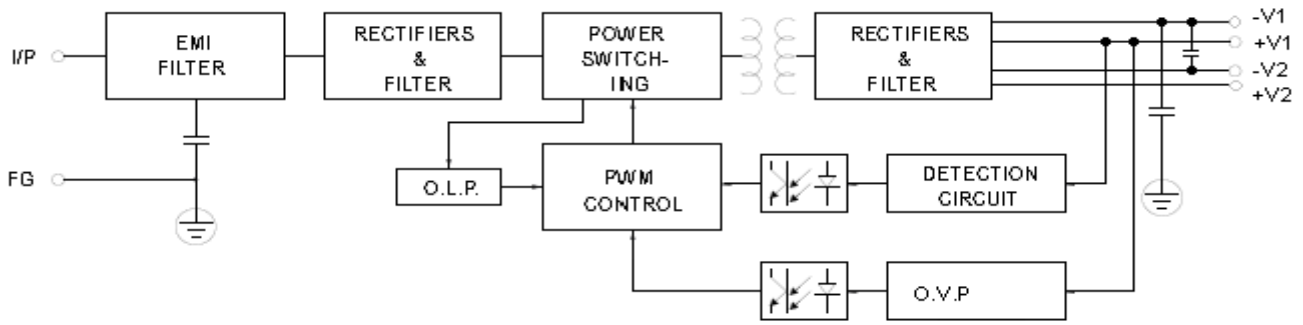
1.AC terminal definition

No.	Function	Wire Specs	Torque max
1	N	22-12AWG	7.5Kgf.cm
2	L		
3	PG		

2.DC terminal definition

No.	Function	Wire Specs	Torque max
4	V2+	22-12AWG	7.5Kgf.cm
5	V2-		
6	V1-		
7~8	V1+		

■ Block Diagram



■ Derating curve

