


Features:

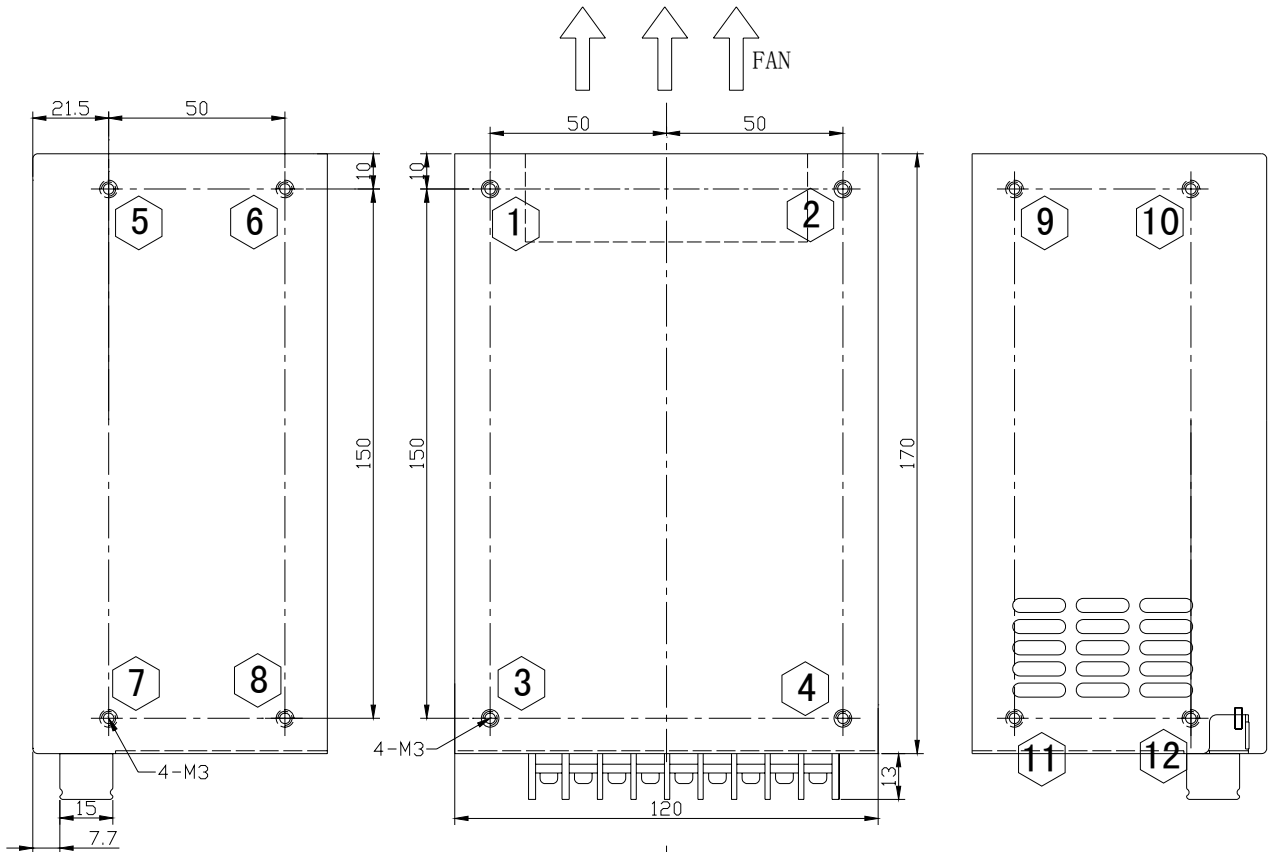
- Universal AC input/ Full range
- Built-in active PFC function, PF>0.95
- Withstand 300VA surge input for 3 secs.
- Built-in cooling Fan ON-OFF control
- Output protections: OLP/OVP/OTP/SCP
- All using 105°C long life electrolytic capacitors.
- Build-in remote sense function
- Build-in remote ON-OFF control
- 3 years warranty

SPECIFICATION

MODEL		PDF-500-12	PDF-500-15	PDF-500-24	PDF-500-27.5	PDF-500-48	
OUTPUT	DC Output	12V	15V	24V	27.5V	48V	
	Rated Current	41.7A	33.3A	21A	18.2A	10.5A	
	Current Range	Note 1 0~41.7A	0~33.3A	0~21A	0~18.2A	0~10.5A	
	Ripple and Noise	0~70°C	<150mV	<150mV	<200mV	<200mV	<240mV
		Note 2 -20~0°C	<240mV	<240mV	<400mV	<400mV	<480mV
	Voltage ADJ. Range	11.6V-13.2V	14.5~16.5V	23.5V-27.2V	26.0V-30.0V	46V-54V	
	Voltage Accuracy	±2.0%	±2.0%	±2.0%	±2.0%	±2.0%	
	Line Regulation	±0.5%	±0.5%	±0.5%	±0.5%	±0.5%	
	Load Regulation	±1.0%	±1.0%	±1.0%	±1.0%	±1.0%	
	Set-up Time	<2.0S (115Vac input, Full load); <2.0S (230Vac input, Full load)					
	Hold up Time	>10mS(230Vac input, Full load)					
	Temperature Coefficient	±0.03%/°C					
	Overshoot and Undershoot	<5.0%					
INPUT	Voltage Range	88Vac~264Vac					
	Frequency Range	47Hz~63Hz					
	Power Factor(Typical)	PF>0.98/115VAC PF>0.95/230VAC					
	Efficiency (Typical)	115Vacin	85%	86%	87%	88%	89%
		230Vacin	88%	89%	90%	91%	92%
	AC Current (max.)	5.5A					
	Inrush Current (Typical)	<20A@115Vac <40A@230Vac Cold start					
Leakage Current	Input—output:<0.25mA Input—PG:<3.5mA						
PROTECTION	Over Load	110%~150% of rated output current, constant current limiting for 3S,then hiccup mode, auto recovery					
	Over Voltage	115%~150% of rated output voltage,constant voltage					
	Over Temperature	95°C+10°C(detect on heatsink of power transistor);shut down,auto recover after the temperature goes down					
	Fan ON/OFF Control	Output load>65% rating or inside temperature >55°C, FAN ON					
ENVIRONMENT	Operating amb. Temp. & Hum.	-20°C~70°C; 20%~90%RH No condensing(refer to the derating curve)					
	Storage Temp. & Hum.	-25°C~85°C; 10%~95%RH No condensing					
SAFETY&EMC Note 3	Safety Standards	UL60950-1; EN60950-1: 2006					
	Withstand Voltage	Primary-Secondary:3.0KVac; ≤10mA .Primary-PG:1.5KVac; ≤10mA. Secondary-PG:0.5KVDC;≤10mA.					
	Isolation Resistance	≥100M ohms					
	EMI Conduction& Radiation	Compliance to EN55022, EN55024, FCC PART 15 CLASS B					
	Harmonic Current	Compliance to EN61000-3-2, CLASS D					
	EMS Immunity	Compliance to EN61000-4-2,3,4,5,6,8,11;heavy industry level					
OTHERS	MTBF (MIL-HDBK-217F)	More than 200,000Hrs (25°C, Full load)					
	Dimension (L*W*H)	170×120×83.5mm					
	Packing	6PCS/CTN, 12KGS, 0.04CBM					
	Cooling method	Cooling by forced air (built-in DC fan)					
NOTE	<ol style="list-style-type: none"> All parameters NOT specially mentioned are measured at rated input, rated load and 25°C of ambient temperature. Measured at 20MHz of bandwidth by using a 12" twisted pair-wire terminated with a 0.1 uF & 47uF parallel capacitor. The SPS is considered a component which will be installed into final equipment. The equipment must be re-confirmed that it still meets EMC directives. 						

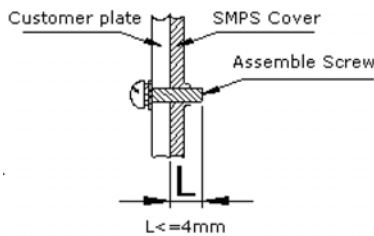
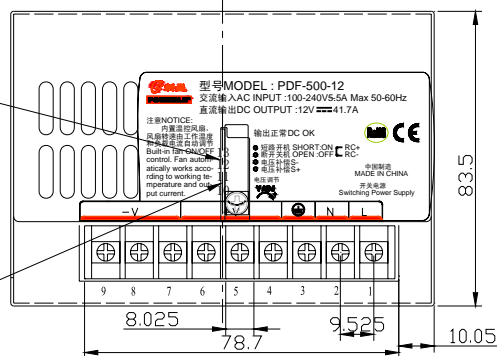
Mechanical Specification

Unit: mm

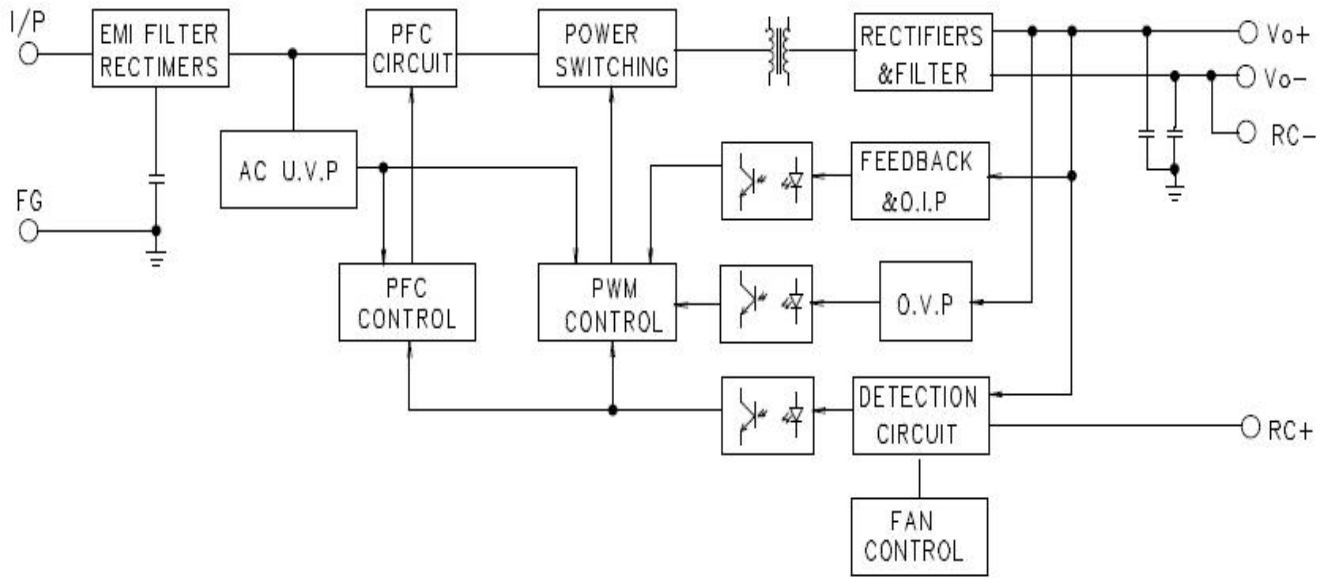


Remote On/Off Function:
 +RC=0, Power supply work (+RC connect -RC as default)
 +RC=1 or no connect, No output

Remote Sense Function:
 +S,-S is used to compensate the voltage loss
 between customer device and Power supply.



■ Block Diagram



■ Derating Curve

