
■ Features:

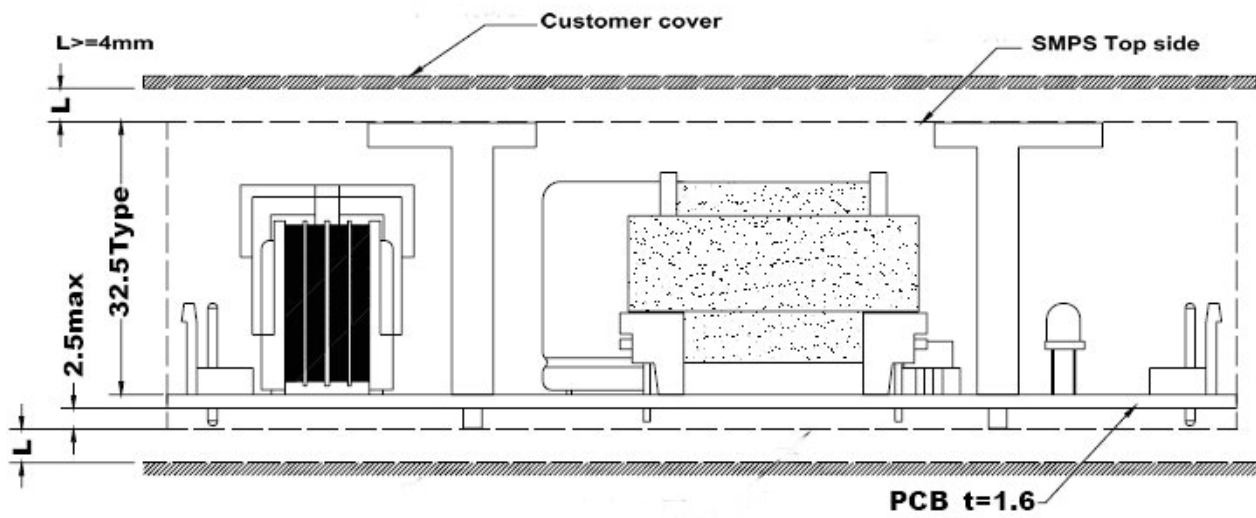
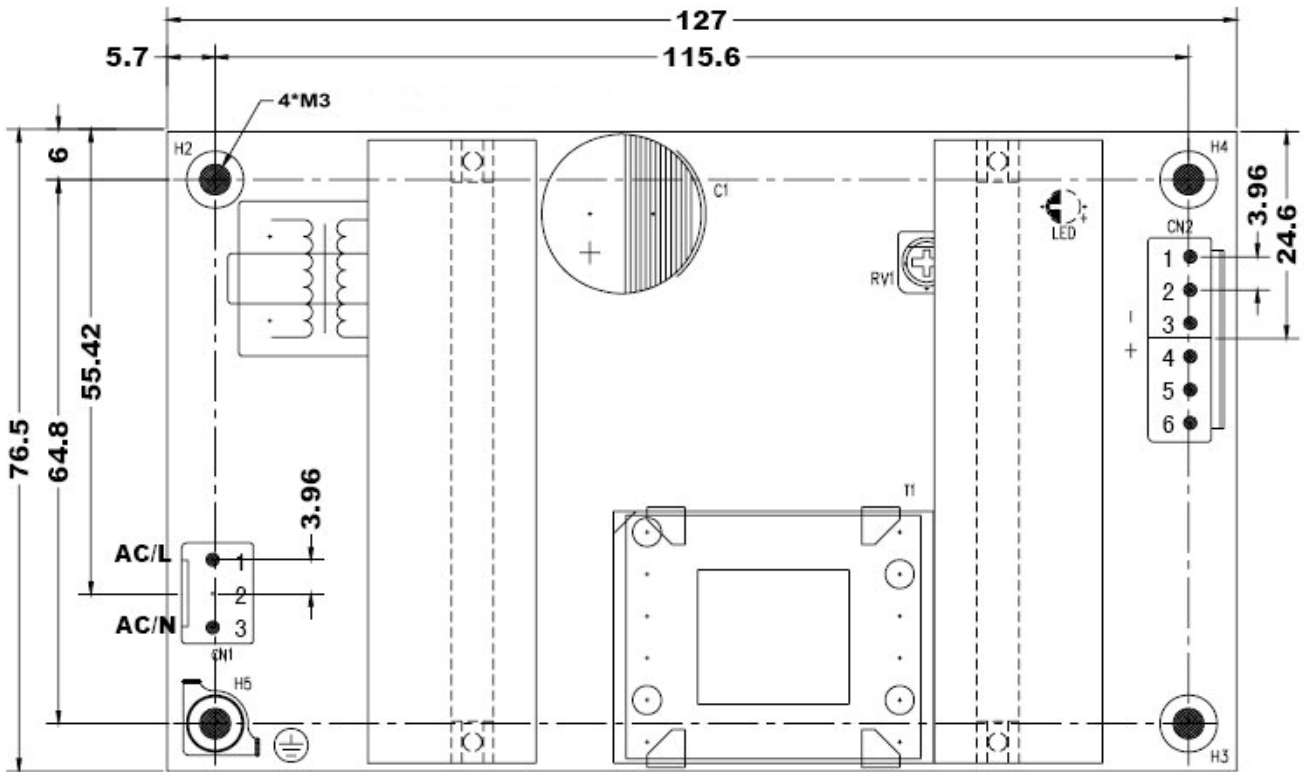
- High AC input 176~264Vac
- High power density, High efficiency and reliability
- Output protections: OLP/OVP/SCP
- Wide operating ambient temperature (-20°C~70°C)
- All using 105°C long life electrolytic capacitors.
- 100% full load burn-in test
- 3"×5" compact size
- 2 years warranty

SPECIFICATION

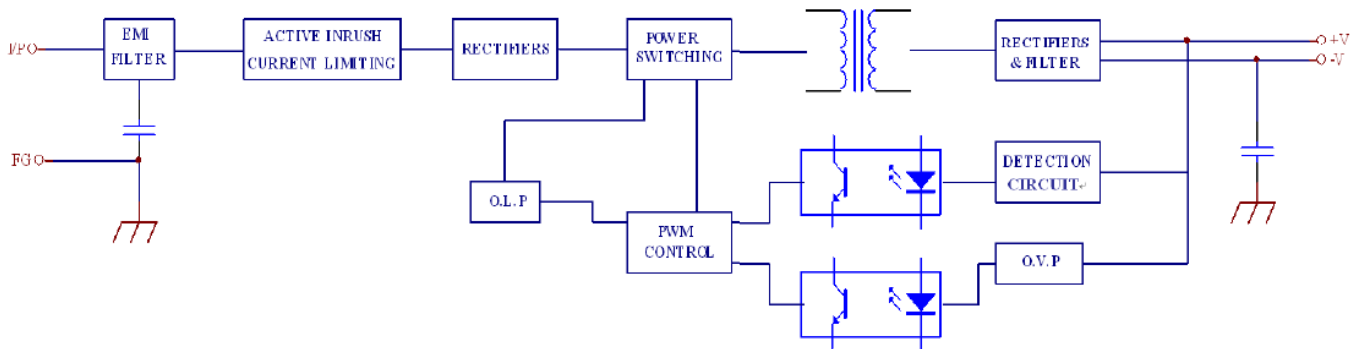
MODEL		PS-100-12	PS-100-24
OUTPUT	DC Output	12V	24V
	Rated Current	8.33A	4.16A
	Current Range	Note 1 0~8.33A	0~4.16A
	Ripple and Noise	Note 1 0~70C 100mV Note 2 -20C~0 120mV	120mV 120mV
	Voltage ADJ. Range	±10% of rated output voltage	
	Voltage Accuracy	±1.0%	±2.0%
	Line Regulation	±0.5%	±0.5%
	Load Regulation	±1.0%	±1.0%
	Set-up Time	<2.0S (220Vac input, Full load)	
	Hold up Time	>10mS(220Vac input, Full load)	
	Temperature Coefficient	±0.03%/°C	
	Overshoot and Undershoot	<5.0%	
INPUT	Voltage Range	176Vac~264Vac	
	Frequency Range	47Hz~63Hz	
	Efficiency (Typical)	83%	85%
	AC Current (max.)	1.5A	1.5A
	Inrush Current (Typical)	<50A@220Vac Cold start	
	Leakage Current	Input-Output: <0.25mA; Output-PG: <3.5mA	
PROTECTION	Over Current	105%~150% of rated output current, hiccup mode, auto recovery	
	Over Voltage	110%~140% of rated output voltage, hiccup mode, auto recovery	
	Short Circuit	Long term mode, Auto recovery	
ENVIRONMENT	Operating ambTemp & Hum	-20°C ~70°C; 20%~90%RH No condensing	
	Storage Temp. & Hum.	-40°C ~85°C; 10%~95%RH No condensing	
SAFETY & EMC Note 3	Safety Standards	GB4943-2001; EN60950-1: 2006	
	Withstand Voltage	Primary-Secondary:3.0KVac; ≤10mA .Primary-PG:1.5KVac; ≤10mA .Secondary-PG:0.5KVDC; ≤10mA .	
	Isolation Resistance	100M ohms	
	EMI	Compliance to EN55022(CISPR22)ClassB	
OTHERS	EMS Immunity	Compliance to EN61000-4-2,3,4,5,6,8; ENV50204A, heavy industry level	
	MTBF (MIL-HDBK-217F)	More than 200,000Hrs (25°C, Full load)	
	Dimension (L*W*H)	127×76.2×32.5mm	
	Packing	24PCS/CTN, 8.5KGS, 0.02CBM	
NOTE	Cooling method	Cooling by free air convection	
		1. All parameters NOT specially mentioned are measured at rated input, rated load and 25°C of ambient temperature. 2. Measured at 20MHz of bandwidth by using a 12" twisted pair-wire terminated with a 0.1 uF & 10uF parallel capacitor. 3. The SPS is considered a component which will be installed into final equipment. The equipment must be re-confirmed that it still meets EMC directives.	

■ **Mechanical Specification**

Unit: mm



■ **Block Diagram**



■ Derating Curve

