
**Features:**

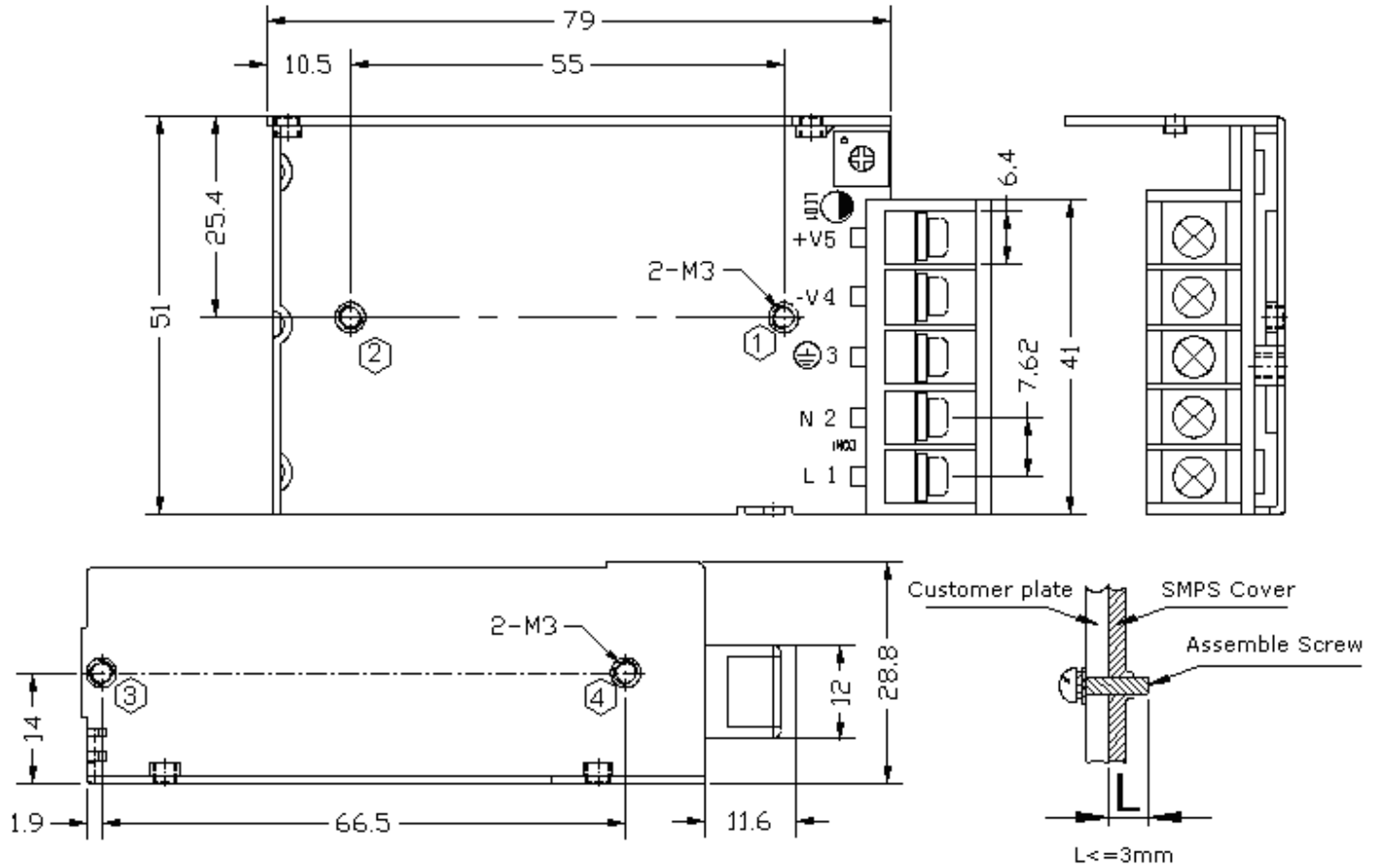
- No Load power consumption<0.5W
- Universal AC input range(90~264Vac)
- High efficiency, long life and high reliability
- Withstand 300VA surge input for 5 sec.
- Output protections: OPP/OLP/SCP
- Wide operating ambient temp (-20°C~70°C)
- All using 105°C long life electrolytic capacitors.
- 100% full load burn-in test
- Suitable for critical applications
- 2 years warranty

**SPECIFICATION**

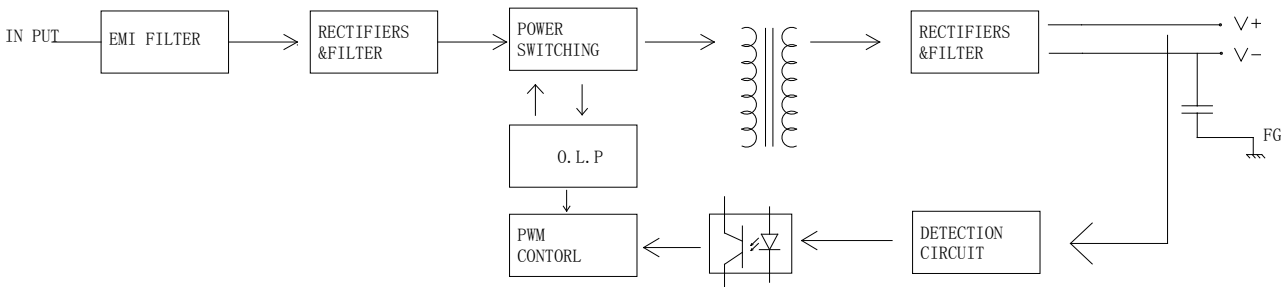
MODEL		ABS-15-5	ABS-15-12	ABS-15-24	
OUTPUT	DC Output	5V	12V	24V	
	Rated Current	3A	1.3A	0.7A	
	Current Range	Note 1 0~3A	0~1.3A	0~0.7A	
	Ripple and Noise	0~70°C	<50mV	<120mV	<120mV
		Note 2 -20°C	<150mV	<150mV	<200mV
	Voltage ADJ. Range	4.75V-5.25V	11.4V-12.6V	22.8V-25.2V	
	Voltage Accuracy	±2.0%	±1.0%	±1.0%	
	Line Regulation	±0.5%	±0.5%	±0.5%	
	Load Regulation	±1.5%	±0.5%	±0.5%	
	Set-up Time	≤2S /115Vac input, Full load) ; ≤1S /230Vac input, Full load)			
	Hold up Time	≥10mS(115Vac input, Full load) ; ≥20mS(230Vac input, Full load)			
	Temperature Coefficient	±0.03%/°C			
Overshoot and Undershoot	<5.0%				
INPUT	Voltage Range	90Vac~264Vac			
	Frequency Range	47Hz~63Hz			
	Efficiency ( Typical)	≥76%	≥80%	≥83%	
	AC Current (max.)	<0.7 A			
	Inrush Current (Typical)	< 65A@230Vac Cold start			
Leakage Current	Input—output:<0.25mA		Input—PG:<3.5mA		
PROTECTION	Over Load	3.15~4.5A Hiccup, auto recovery	1.36~1.95 A Hiccup, auto recovery	0.73~1.05 A Hiccup, auto recovery	
	Over power	15.75~22.5W Hiccup, Auto recovery	16.38~23.4W Hiccup, auto recovery	17.64~25.2W Hiccup, auto recovery	
	Shorted Circuit	Long-term mode, auto recovery			
ENVIRONMENT	Operating amb. Temp. & Hum.	-25°C~70°C; 20%~90%RH No condensing			
	Storage Temp. & Hum.	-40°C~85°C; 10%~95% RH No condensing			
SAFETY & EMC Note 3	Safety Standards	UL60950-1 2 <sup>nd</sup> Ed; IEC 60950-1:2005(2 <sup>nd</sup> Ed) ;EN60950-1:2006			
	Withstand Voltage	Primary-Secondary:3.0KVac; ≤10mA .Primary-PG:1.5KVac; ≤10mA. Secondary-PG:0.5KVDC; ≤10mA.			
	Isolation Resistance	≥100M ohms			
	EMC Emission	Compliance to EN55022 Class B			
	Harmonic Current	Compliance to EN61000-3-2, Class D			
EMC Immunity	Compliance to EN61000-4-2,3,4,5,6,8,11;EN55024,EN61000-6-2 heavy industry level				
OTHERS	MTBF (MIL-HDBK-217F)	More than 200,000Hrs (25°C, Full load)			
	Dimension (L*W*H)	79×51×28.8mm			
	Packing	48PCS/CTN, 10.5KGS, 0.03CBM			
	Cooling method	Cooling by free air convection			
NOTE	1. All parameters NOT specially mentioned are measured at rated input, rated load and 25°C of ambient temperature. 2. Measured at 20MHz of bandwidth by using a 12" twisted pair-wire terminated with a 0.1 uF & 10uF parallel capacitor. 3. The SPS is considered a component which will be installed into final equipment. The equipment must be re-confirmed that it still meets EMC directives. 4. Powerld offer accessories for Din-35 rail bar. Please contact sales staff for details.				

**Mechanical Specification**

Unit: mm



**Block Diagram**



**Derating Curve**

